

Oxford Standaid 140 Parts Manual



Sunrise Medical Limited

High Street, Wollaston, West Midlands, DY8 4PS

Tel: +44 (0)1384 44 66 22

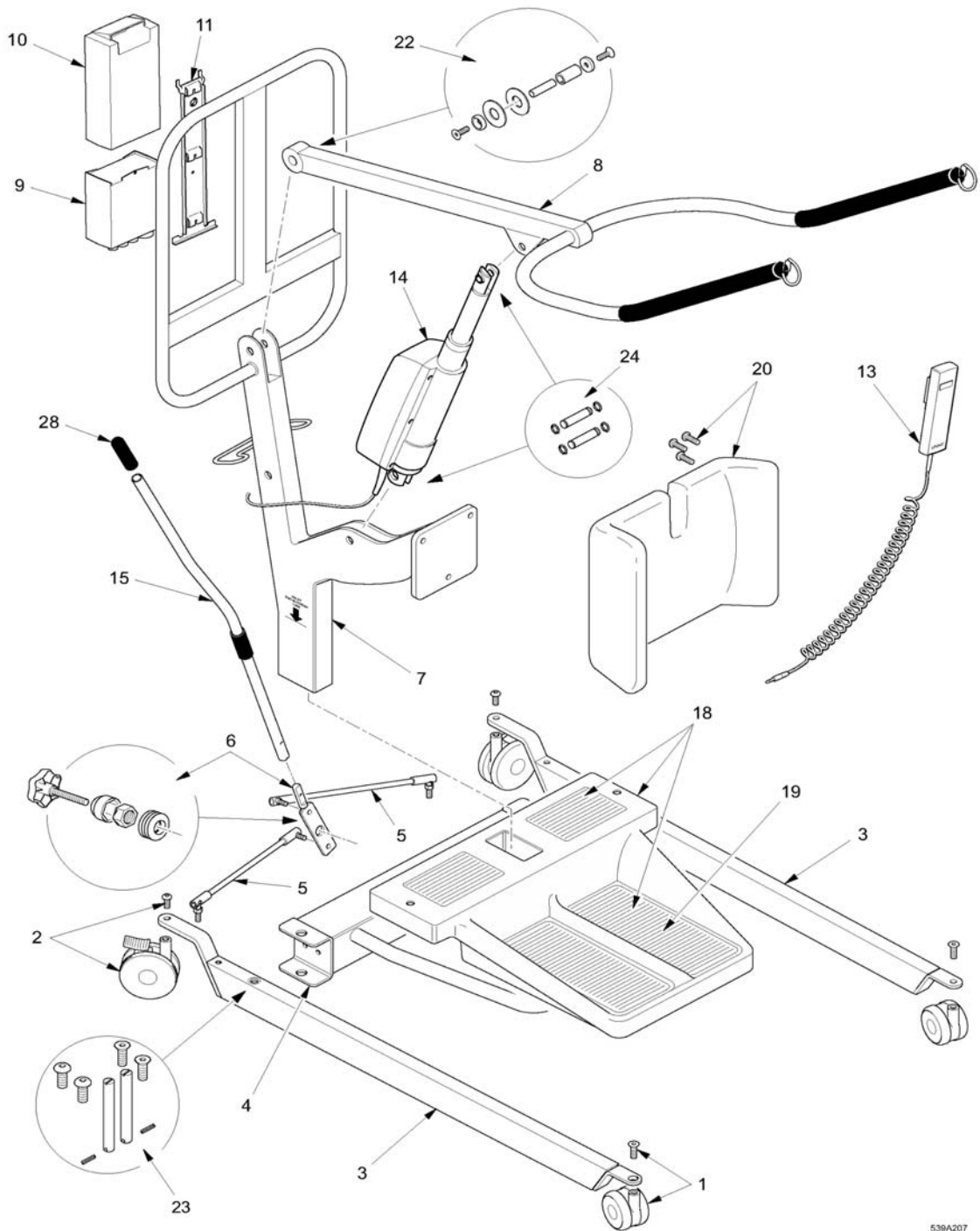
Fax: +44 (0)1384 44 66 44

sunmail@sunmed.co.uk

www.sunrisemedical.co.uk

OXSA/PM/MAR02/ISS4

OXFORD STANDAID 140



539A207

OXFORD STANDAID 140

NO.	PART NUMBER	DESCRIPTION	QTY	SERIAL NO.
1	091388.10000	Castor kit:75mm nylon castor, M8 CSK screw	1	
2	091388.10001	Rear castor kit: 100mm nylon braked castor M10 button head bolt	1	
3	417641.11000	Leg fabrication: Suitable for left & right config (Not inc. castors)	1	
4	106641.11000	Cross member assembly, including nutsert	1	
5	EM-2679	Link rods (left & right side) including washers	1	
6	232388.10014	Pivot plate assy: inc. belville washers, circlip, cap, & locking knob	1	
7	457641.11001	Mast complete	1	
8	SA/2133	Boom complete	1	
9	172001.10002	Linak controller	1	
10	000172.10000	Linak battery	1	
11	560000.10000	Linak battery and controller bracket and fixings	1	
12	133001.10001	Linak battery charger and desk top unit (not shown)	1	
13	293388.10000	Linak hand control	1	
14	182001.10003	Linak actuator (300mm stroke)	1	
15	232388.10015	Leg adjuster handle	1	

KITS & FIXINGS COMPLETE

18	533388.10001	Foot Tray fixings and non slip pads	1	
19	SA/2569	Non slip pad - LH	1	
	SA/2570	Non slip pad - RH	1	
20	426388.10000	Knee pad and fixings	1	
22	232388.10009	Mast & boom fixing kit: X2 nylon washers, X1 nylon pivot tube, X1 steel pivot pin, X2 washers, X2 M8 CSK bolt	1	
23	232388.100011	Leg fixing kit: X2 M8 castor bolts CSK, X2 M10 button head castor bolts, X2 leg pivot pins long (Major/Maxi), X2 leg pivot pins short (Mini, Midi Stowaway)	1	
24	232388.10004	Actuator fulcrum fixing kit: X2 fixing pins, X4 circlip	1	

COMMONLY REQUIRED ITEMS

25	000412.10009	Decal set: (not shown)	1	
26	655530.10000	Handle grip: leg adjuster handle	5	
27	000384.11000	Knob lever handle fixing screw (not shown)	1	